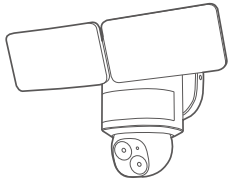
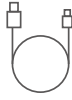


## WHAT'S IN THE BOX



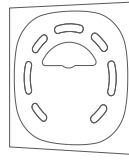
Floodlight Cam E340  
Model: T8425



USB Cable  
(For Quick Setup Only)



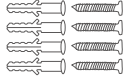
Mounting Bracket  
(Pre-installed on  
Camera)



Positioning  
Sticker



Installation  
Hook\*



Wall Screws  
(Bag A)



Base Screws  
(Bag B)



Warning  
Sticker



Quick Start  
Guide

\*Optional accessory, depending on the package you receive.

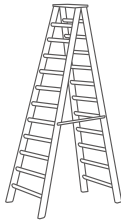
## WHAT YOU NEED (Not Provided)



#2 or #1 Phillips  
Crosshead  
Screwdriver



5V/1A USB  
Power Adapter



Ladder  
(If necessary)

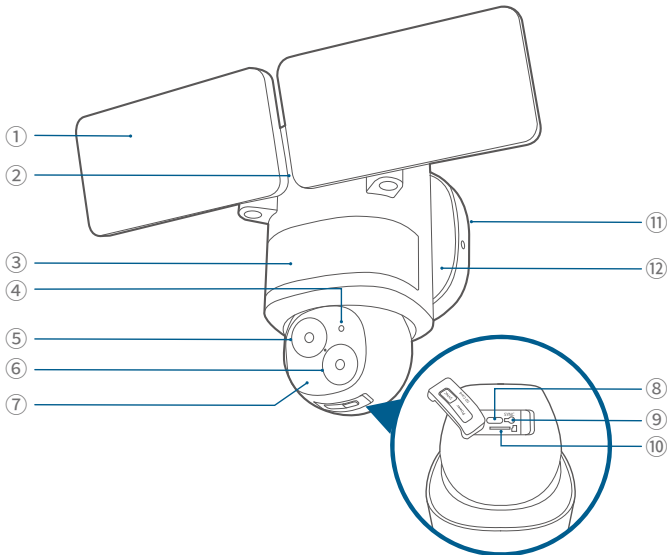


Power Drill  
(If necessary)



15/64-inch Drill Bit  
(If necessary)

## AT A GLANCE



- |                           |   |
|---------------------------|---|
| ① Floodlight              | ⑧ Power Input (For Quick Setup)                           |
| ② Speaker                 | ⑨ SYNC Button   |
| ③ Motion Sensor Component | ⑩ microSD Card Slot                                       |
| ④ System Indicator        | Insert a microSD card* (not provided) to store recordings |
| ⑤ Telephoto Camera        | ⑪ Mounting Bracket  |
| ⑥ Wide Angle Camera       | ⑫ Mounting Base   |
| ⑦ Infrared Component      |   |

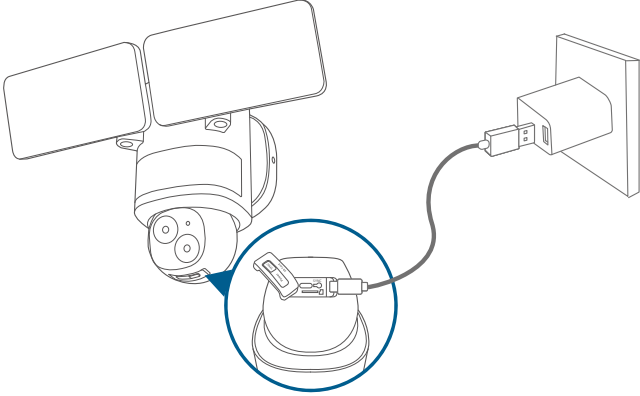
\*Use at least a Class 10 microSD card with a maximum of 128 GB.

## SETTING UP THE SYSTEM

1. Download and install the eufy Security app, then sign in or create an account.



2. Power on the floodlight camera by using the USB-C charging cable and a power adapter (5V/1A, not provided).

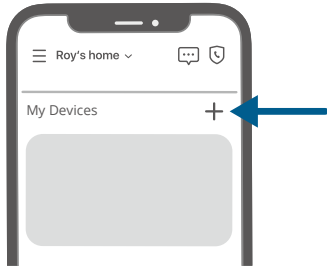


To avoid scratching the floodlight camera, do not peel off the protective film for the time being.

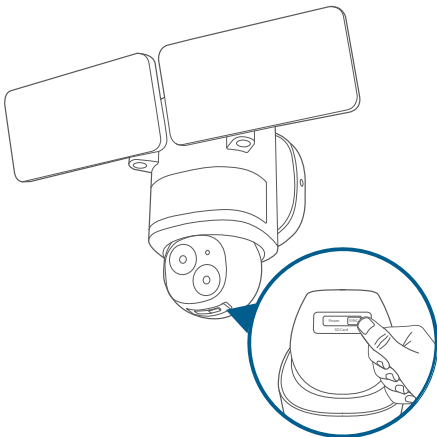
The floodlights will only light up when in wired power mode. The USB-powered connection is used for setting up the camera safely inside your home.

Make sure you can stream video from your floodlight camera **BEFORE INSTALLATION**.

3. Tap + in the app and follow the in-app instructions to add the camera.



4. Disconnect from the power adapter, then close the USB port cover.



The USB port cover must be closed to prevent water from entering the floodlight camera.

## PREPARING FOR INSTALLATION (IMPORTANT)

### Check local laws for installation

If you are outside of North America, installation and wiring must be performed by a licensed electrician. Always follow code standards when installing wired connections.

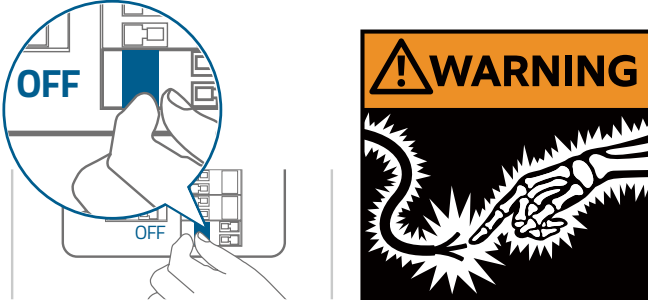
### Shut Power Off at the Breaker



Risk of Electrical Shock

- Turn off the power at your circuit breaker or fuse box before continuing, consult with a licensed electrician if needed.
- Switch on/off the lights to make sure the electricity to the installation area is shut off.
- Verify that the power supply is a 100~240 VAC 50/60 Hz power source.
- Keep the breaker off at any time during the installation process.

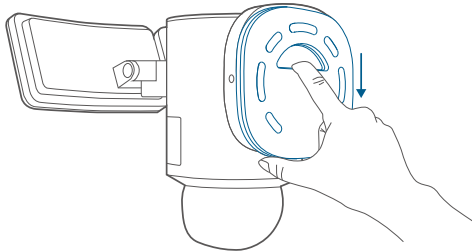
NOTE: Do not use a dimmer switch or timer for this product.



## INSTALLING YOUR FLOODLIGHT CAMERA

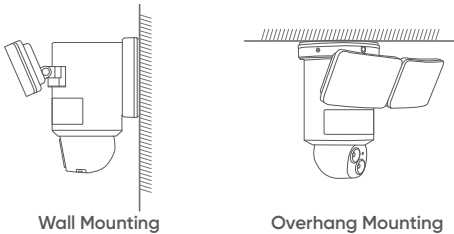
### Separate the Mounting Bracket

Separate the mounting bracket from the camera and set it aside for later installation.

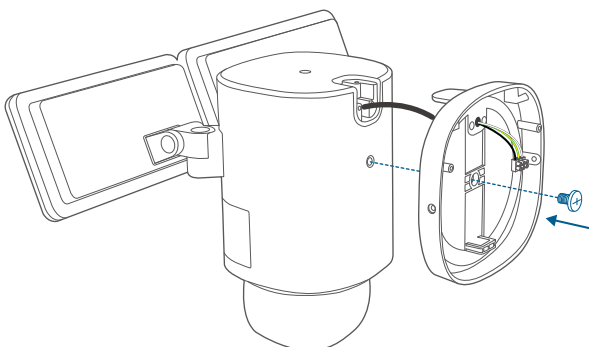


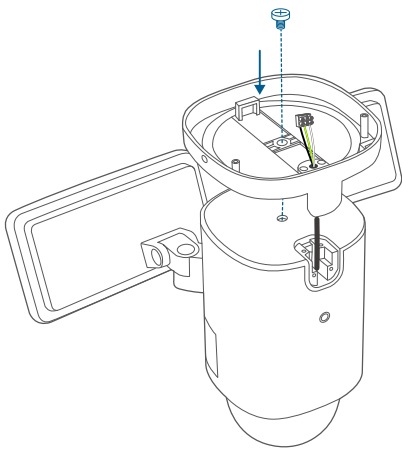
### Select a Location

You can mount the floodlight camera vertically on a wall or hang it from a ceiling. With the power off at the breaker, remove the existing floodlight if you have one.



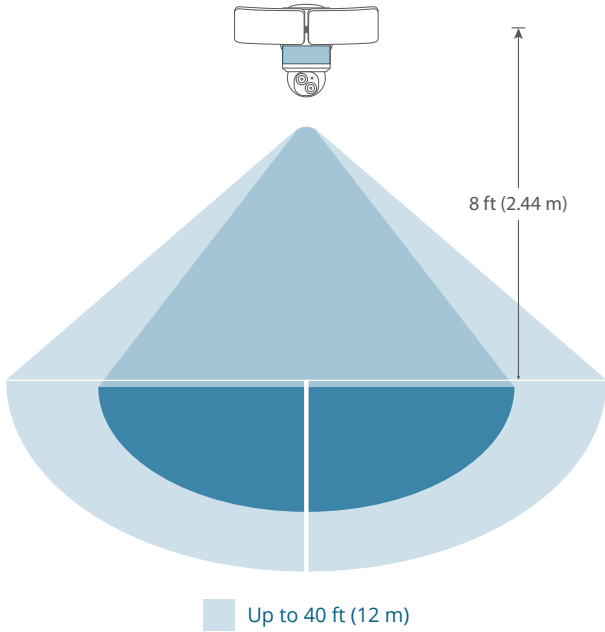
For overhang mounting, reinstall the mounting base first.





### Recommended Height

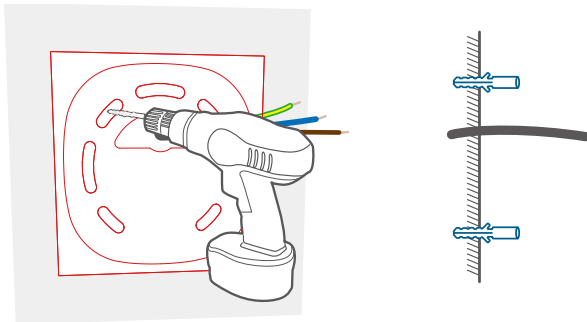
We recommend mounting the camera 8 ft (2.44 m) above the ground to achieve up to 40 ft (12 m) of motion detection range.



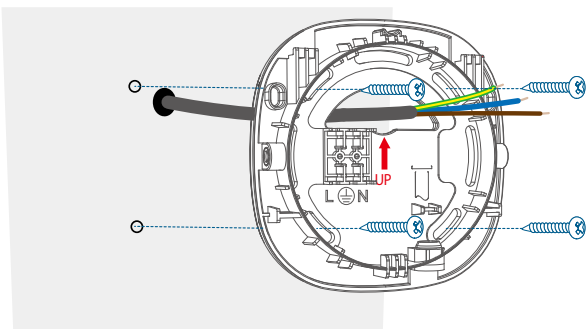
### Install the Mounting Bracket

1 Install the mounting bracket on the wall or ceiling with the **wall screws and anchors (Bag A)**.

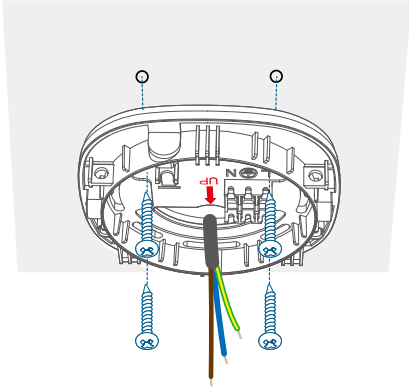
- For walls that are made out of hard materials, such as stucco, brick, or concrete, drill holes with a 15/64 inch (5.95 mm) drill bit, then insert the anchors into the holes.



### Wall Mounting



## Overhang Mounting



### Connect Wires

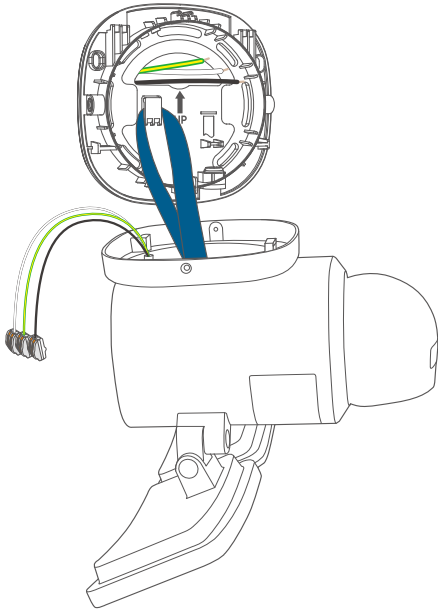
1. Check if there is a hanging strap on the camera.

If so, follow option A to connect the wires.

If not, follow option B.

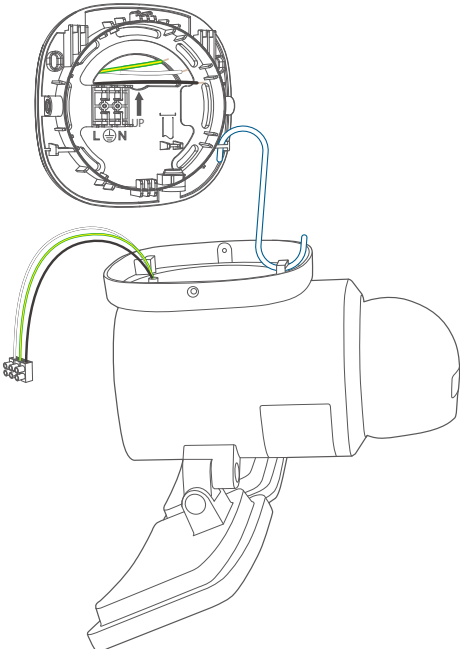
#### Option A

Hang your camera on the bracket with the hanging strap while connecting the wires.



#### Option B

Hang your camera on the bracket with the provided hook while connecting the wires.

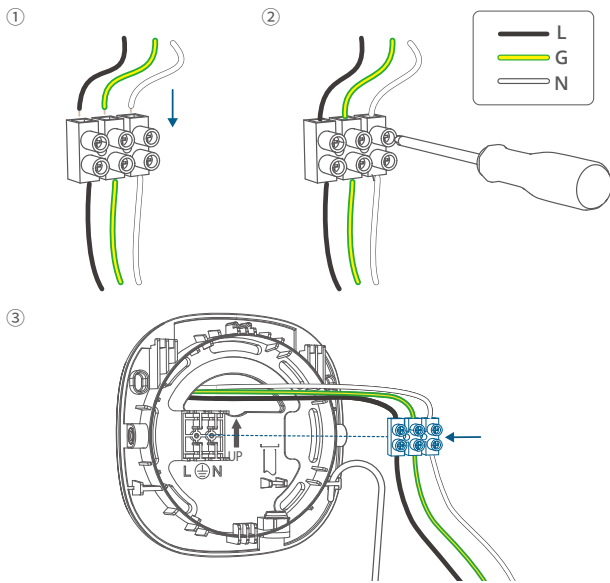


2. Check the type of connectors your camera have. Follow the instructions below to complete the connection.

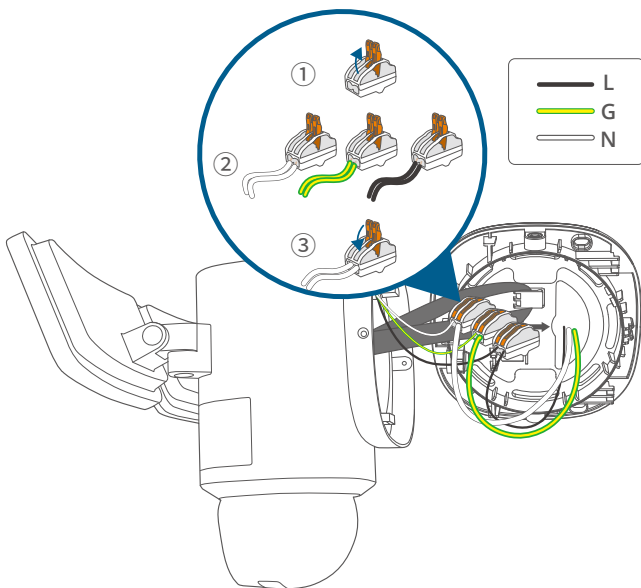
Separately connect the junction box's ground wire (bare copper / green / green & yellow), live wire (black), and neutral wire (white) to the floodlight camera's ground wire (green & yellow), live wire (black), and neutral wire (white) using wire connectors, then secure the connections with a screwdriver or with your hands.

If the existing ground wire has been connected to the junction box, or if there is no ground wire, connect the floodlight camera's ground wire directly to the junction box or mounting plate.

#### Option A



#### Option B

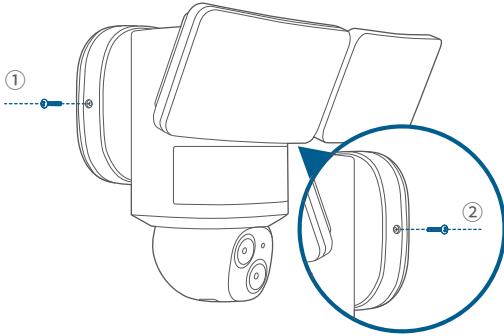
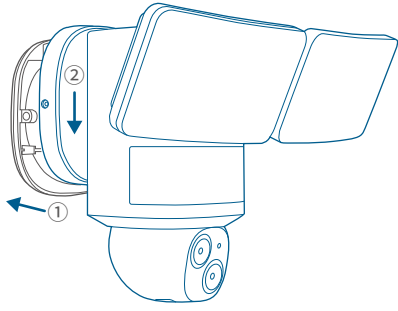


Never cross-connect. The wires must be connected with matching colors.


If you have problems with the proper operation of the floodlight camera, consult a licensed technician.

### Place the Camera on the Mounting Bracket

1. Remove the hook (if there is one), snap the mounting base onto the mounting bracket, align the holes, and secure it with 2 Base Screws (Bag B).

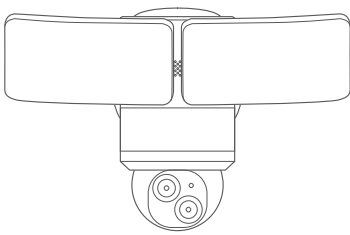
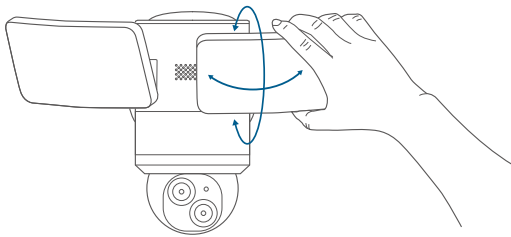


2. Remove the label and protective film from the floodlight.

 Clean the camera with a lens cleaning cloth.

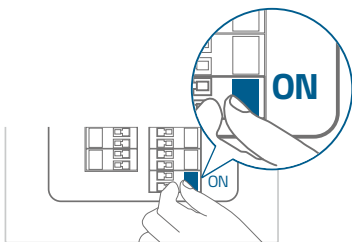
### ADJUSTING THE LIGHTING ANGLE

Manually pull up and down or left and right to adjust the floodlight vertically or horizontally.



### RESTORING POWER

1. Switch on the main circuit breaker in the house.








In case the floodlight camera is not powered on, switch off the circuit breaker before checking the wiring of the floodlight camera.

2. Now you can access various features and change settings in the eufy Security app.

For troubleshooting, check the Help section in the eufy Security app.

## LED LIGHT GUIDE

	Solid Violet	System is initializing
	Solid Blue	Working normally or ready for setup
	Blinking Red	Not connected to the internet
	Solid Red	Recording or the live stream is being viewed
	Flashing Blue and Red	Firmware upgrade in progress Note: Keep the camera connected to a power source